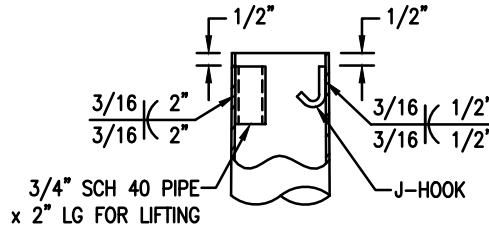
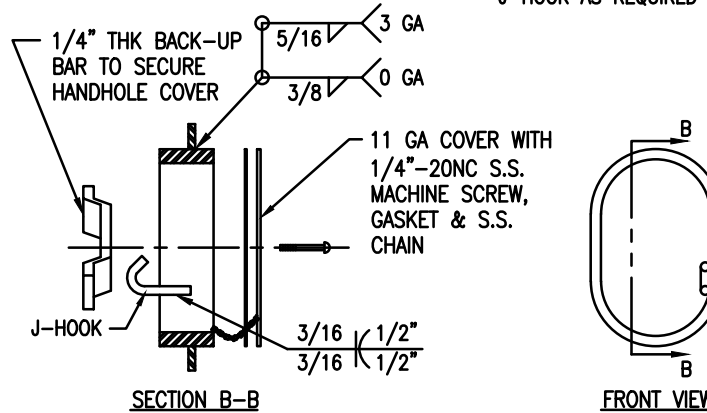


ARLINGTON COUNTY, VA
 UMC & DATE OF MFG
 POLE HEIGHT & GAGE
 ARM LENGTH & GAGE
 BOLT CIRCLE DIA

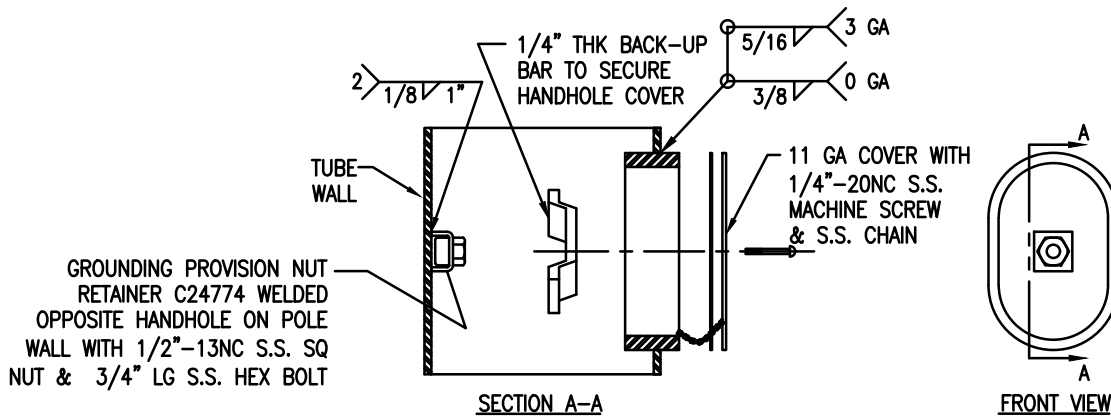
I.D. TAG DETAIL
 DRILL (4) #29 (ϕ .136") HOLES
 ON 1 1/2"x3 1/2" CENTERS FOR
 2"x4" ALUM. I.D. TAG ATTACHED
 WITH (4) S.S. DRIVE SCREWS



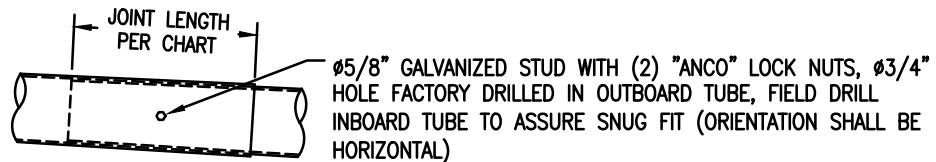
TOP OF POLE DETAIL
 ORIENTATION OF PIPE &
 J-HOOK AS REQUIRED



4"x6 1/2" HANDHOLE FRAME DETAIL



5"x8" HANDHOLE FRAME DETAIL



TELESCOPIC FIELD JOINT DETAIL

NON-ORNAMENTAL POLE DETAILS

1	01/31/2019
REVISION & DATE	



ARLINGTON COUNTY, VIRGINIA
 DEPARTMENT OF ENVIRONMENTAL SERVICES

DRAWING NO.
62-06