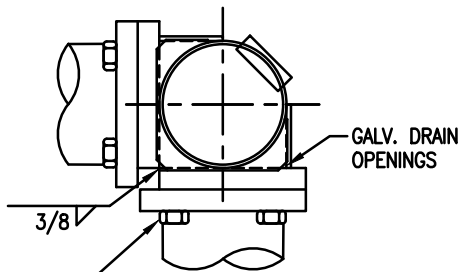
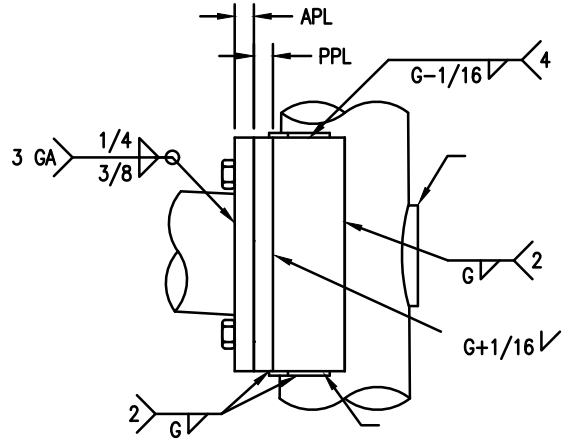
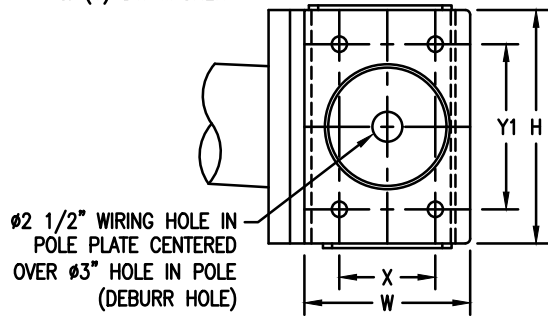


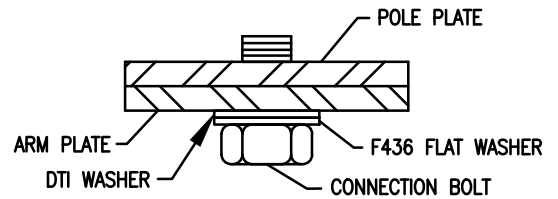
**SINGLE MAST ARM CONNECTION DETAIL (4-BOLT)
(Y1 & Y3 ONLY)**



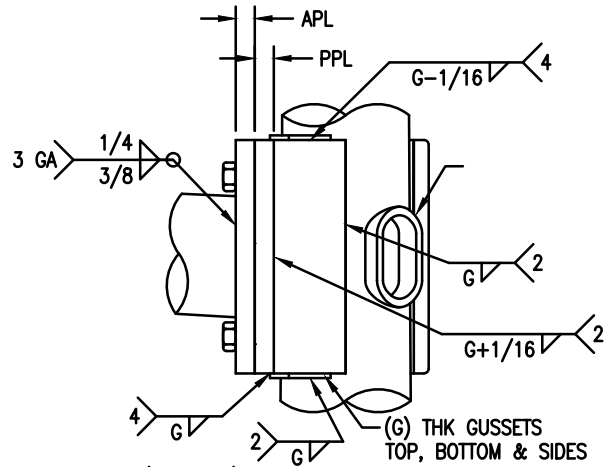
(8) HEX HD CONNECTION BOLTS (SIZE PER CHART) EACH W/ (1) FLAT WASHER & (1) DTI WASHER



**DUAL MAST ARM CONNECTION DETAIL (4-BOLT)
(Y2 & Y4 ONLY)**



PLACEMENT OF F959 DTI WASHER



**NON-ORNAMENTAL MAST ARM CONNECTIONS
(1 OF 2)**



ARLINGTON COUNTY, VIRGINIA
DEPARTMENT OF ENVIRONMENTAL SERVICES

1	01/31/2019
REVISION & DATE	

DRAWING NO.
62-07