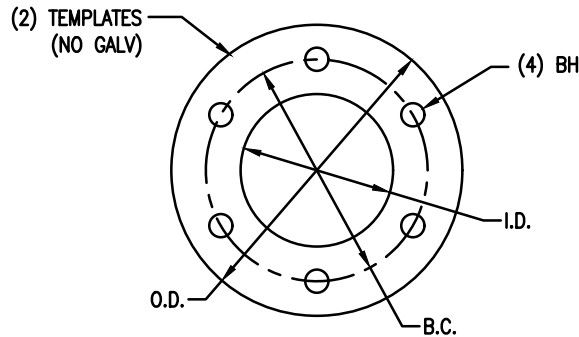
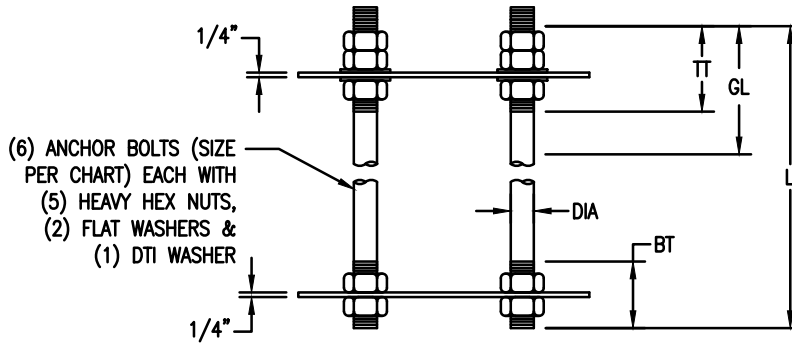


**PLACEMENT OF F2437 DTI WASHER
AT POLE BASE CONNECTIONS**



**ANCHOR BOLT CONFIGURATION
(SHIPPED UNASSEMBLED)**

ANCHOR BOLT & TEMPLATE DATA									
DESIGN	DIA	L	TT	BT	GL	B.C.	I.D.	O.D.	BH
Y1 & Y2	1 1/2	70	10	5	FULL	19	16	22	1 9/16
Y3	1 1/2	70	10	5	FULL	20	17	23	1 9/16
Y4	1 3/4	70	11	5	FULL	22	18 1/2	25 1/2	1 13/16
Y5	1 3/4	70	11	5	FULL	25	21 1/2	28 1/2	1 13/16
Y6	2	70	12	6	FULL	27	23	31	2 1/16
Y7	2	70	12	6	FULL	27 1/2	23 1/2	31 1/2	2 1/16
Y8	2 1/4	70	14	6	FULL	29	24 1/2	33 1/2	2 5/16

NON-ORNAMENTAL POLE ANCHOR BOLTS

1 01/31/2019

REVISION & DATE



ARLINGTON COUNTY, VIRGINIA
DEPARTMENT OF ENVIRONMENTAL SERVICES

DRAWING NO.
62-10