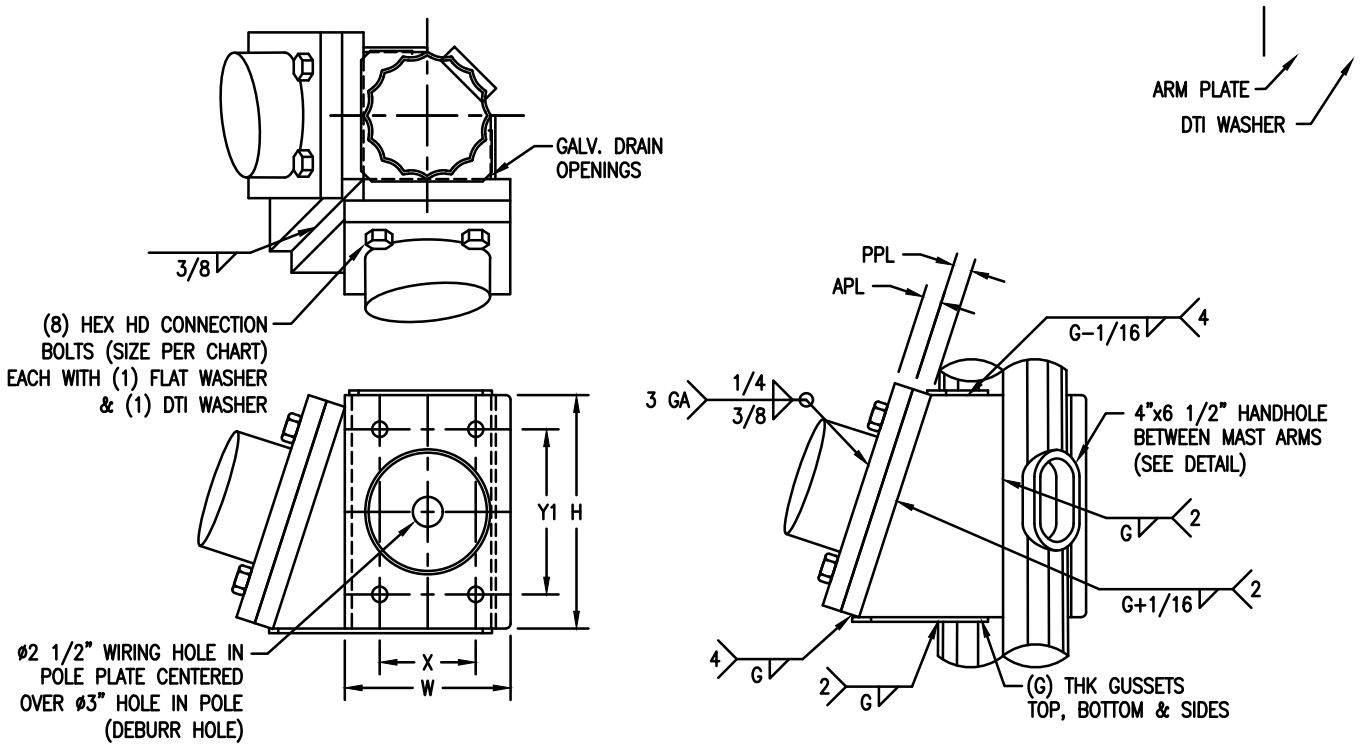


SINGLE MAST ARM CONNECTION DETAIL (4-BOLT)  
(Y1 & Y3 ONLY)



DUAL MAST ARM CONNECTION DETAIL (4-BOLT)  
(Y2 & Y4 ONLY)

ORNAMENTAL MAST ARM CONNECTIONS  
(1 OF 2)

1	01/31/2019
REVISION & DATE	



ARLINGTON COUNTY, VIRGINIA  
DEPARTMENT OF ENVIRONMENTAL SERVICES

DRAWING NO.  
**63-06**