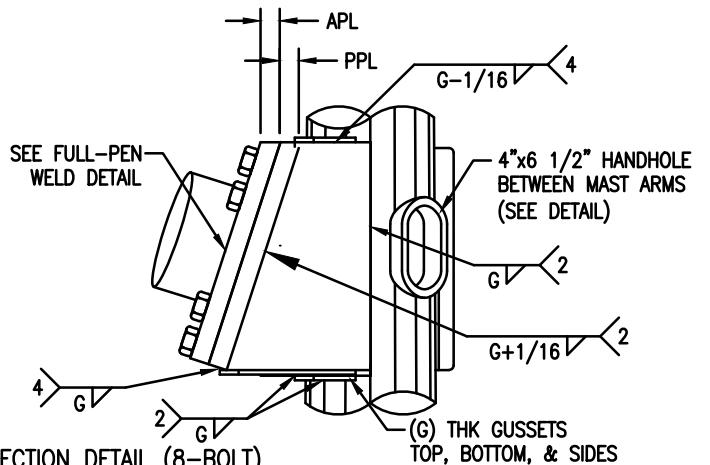
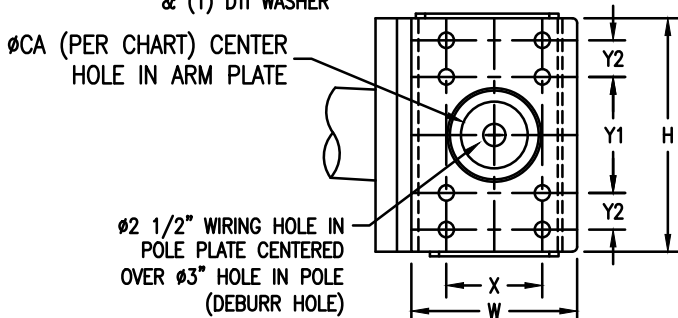
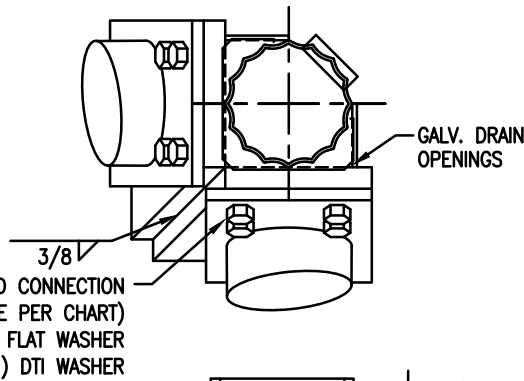
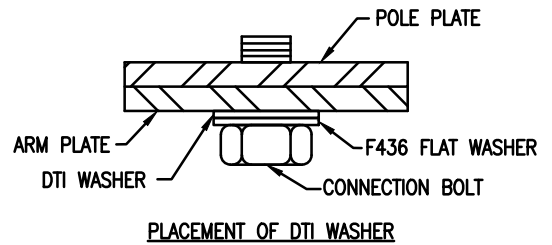


SINGLE MAST ARM CONNECTION DETAIL (8-BOLT)
(Y5 & Y7 ONLY)



DUAL MAST ARM CONNECTION DETAIL (8-BOLT)
(Y6 & Y8 ONLY)

ORNAMENTAL MAST ARM CONNECTIONS
(2 OF 2)

1	01/31/2019
REVISION & DATE	



ARLINGTON COUNTY, VIRGINIA
DEPARTMENT OF ENVIRONMENTAL SERVICES

DRAWING NO.
63-07