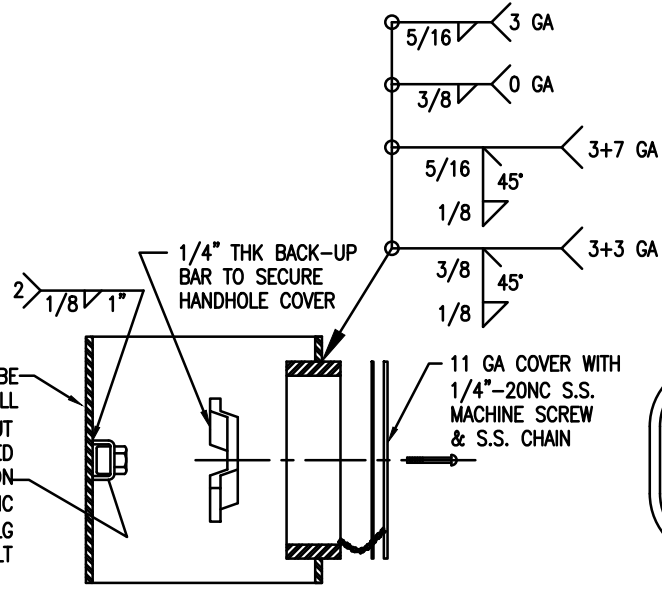
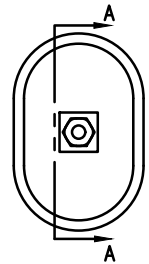


**BASE PLATE DETAIL**



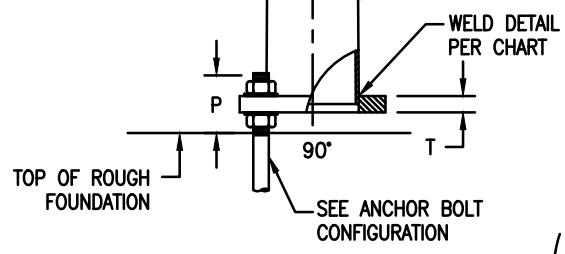
**SECTION A-A**



**FRONT VIEW**

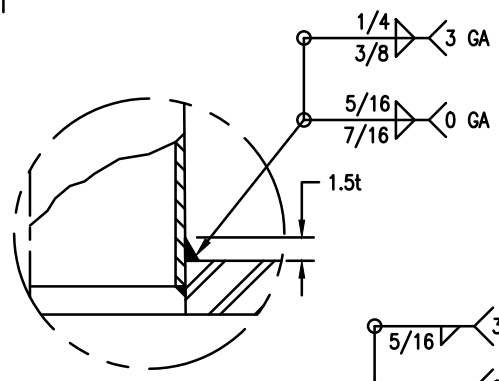
GROUNDING PROVISION NUT RETAINER C24774 WELDED OPPOSITE HANDHOLE ON POLE WALL WITH 1/2\"-13NC S.S. SQ NUT & 3/4\" LG S.S. HEX BOLT

5\"x8\" HANDHOLE (SEE DETAIL)

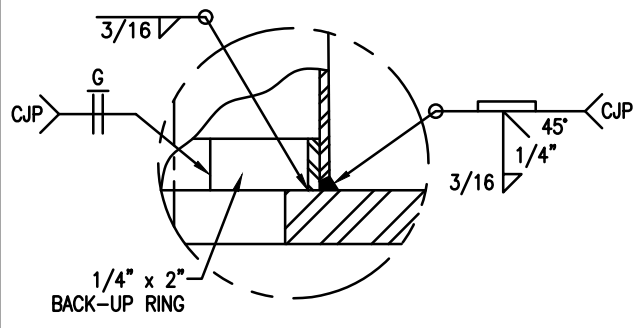


**BASE CONNECTION DETAIL**

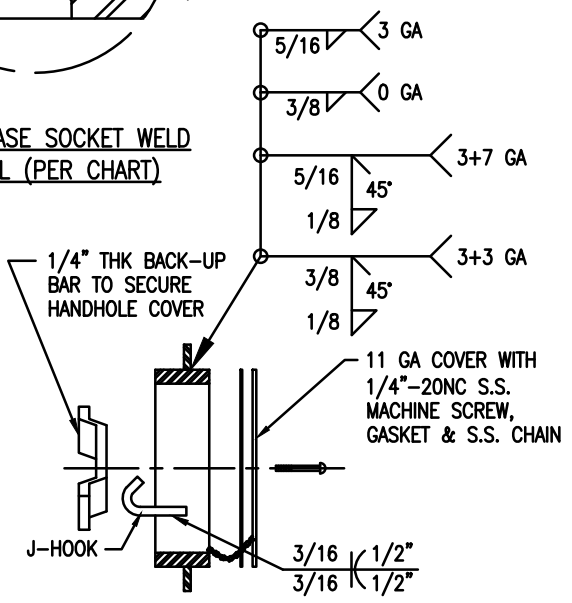
**5\"x8\" HANDHOLE FRAME DETAIL**



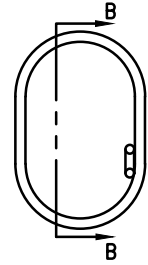
**POLE BASE SOCKET WELD DETAIL (PER CHART)**



**POLE BASE & ARM FLANGE FULL PEN WELD DETAIL (PER CHART)**



**SECTION B-B**



**FRONT VIEW**

**4\"x6 1/2\" HANDHOLE FRAME DETAIL**

**ORNAMENTAL POLE DETAILS**

|                 |            |
|-----------------|------------|
| 1               | 01/31/2019 |
| REVISION & DATE |            |



ARLINGTON COUNTY, VIRGINIA  
DEPARTMENT OF ENVIRONMENTAL SERVICES

DRAWING NO.  
**63-08**