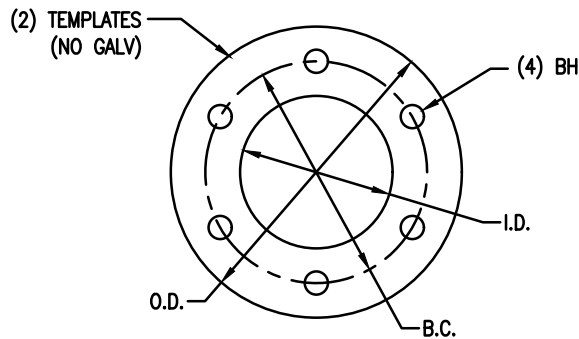
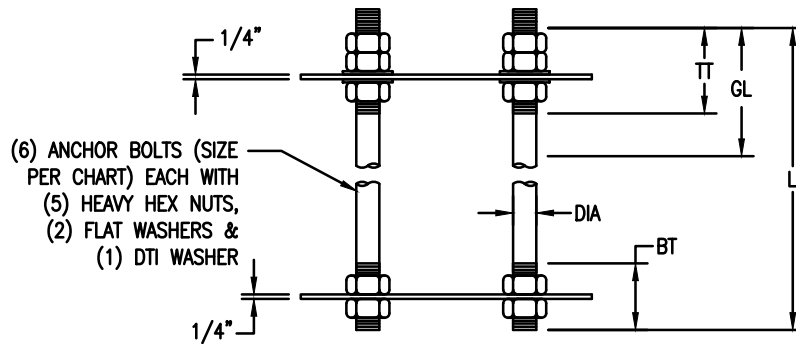


PLACEMENT OF F2437 DTI WASHER
AT POLE BASE CONNECTIONS



ANCHOR BOLT CONFIGURATION
(SHIPPED UNASSEMBLED)

ANCHOR BOLT & TEMPLATE DATA									
DESIGN	DIA	L	TT	BT	GL	B.C.	I.D.	O.D.	BH
Y1 & Y2	1 1/2	70	10	5	FULL	19	16	22	1 9/16
Y3	1 1/2	70	10	5	FULL	21	18	24	1 9/16
Y4	1 3/4	70	11	5	FULL	23	19 1/2	26 1/2	1 13/16
Y5	1 3/4	70	11	5	FULL	24	20 1/2	27 1/2	1 13/16
Y6	2	70	12	6	FULL	23	19	27	2 1/16
Y7	2	70	12	6	FULL	24	20	28	2 1/16
Y8	2 1/4	70	14	6	FULL	25	20 1/2	29 1/2	2 5/16

ORNAMENTAL POLE ANCHOR BOLTS

1 01/31/2019

REVISION & DATE



ARLINGTON COUNTY, VIRGINIA
DEPARTMENT OF ENVIRONMENTAL SERVICES

DRAWING NO.
63-09