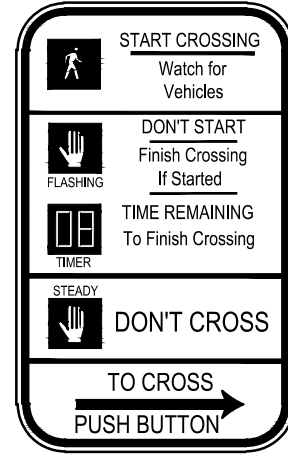


NOTES:

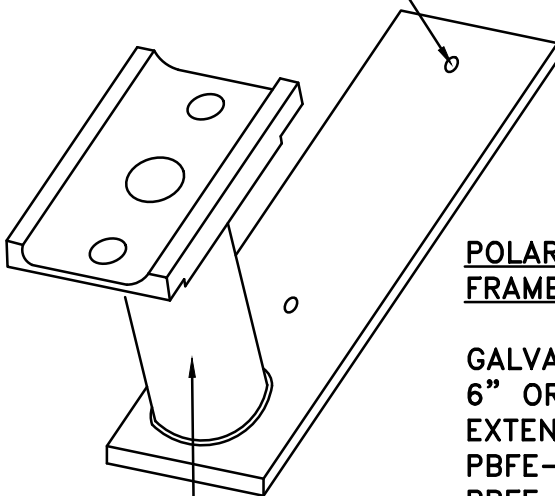
1. ACCESSIBLE PUSHBUTTON STATION (APS) SHALL BE POLARA TYPE 2-WIRE SYSTEM UNLESS OTHERWISE NOTED OR AS APPROVED BY THE COUNTY TRAFFIC ENGINEER.
2. APS SHALL BE POWDER COAT BLACK.
3. APS SHALL BE INSTALLED IN A LOCATION IN ACCORDANCE WITH ADA AND MUTCD STANDARDS.
4. APS CONFIGURATOR AND CCU SHALL BE PLACED INSIDE THE CABINET PRIOR TO INSPECTION.
5. CENTER OF PUSHBUTTON SHALL BE MOUNTED AT 42" PER ADA AND MUTCD REQUIREMENTS. IF THE PUSHBUTTON MOUNTING HEIGHT IS IN CONFLICT WITH A POLE SKIRT OR OTHER OBSTRUCTIONS, A PUSHBUTTON EXTENDER IS REQUIRED. THE EXTENDER SHALL BE POWDER COAT BLACK.

**INSTALL R10-3e
TO THE POLE ABOVE THE
PUSHBUTTON UNIT**



**R10-3(e)
9" x 15"**

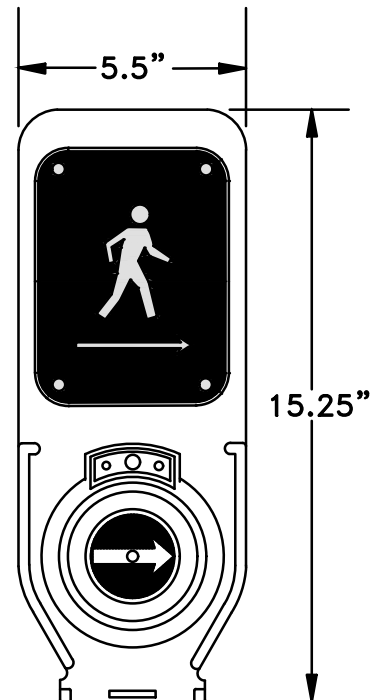
EXTENDER SHALL BE BOLTED TO POLE OR BANDED



**POLARA PUSHBUTTON
FRAME EXTENDER:**

**GALVANIZED STEEL,
6" OR 12"
EXTENDER PART
PBFE-06 OR
PBFE-12**

ROUTE WIRES IN
EXTENDER TUBE



ACCESSIBLE PUSHBUTTON STATION

1 01/31/2019

REVISION & DATE



ARLINGTON COUNTY, VIRGINIA
DEPARTMENT OF ENVIRONMENTAL SERVICES

DRAWING NO.
68-01
FORMERLY TS7-6.1