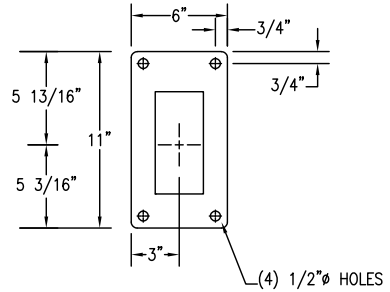
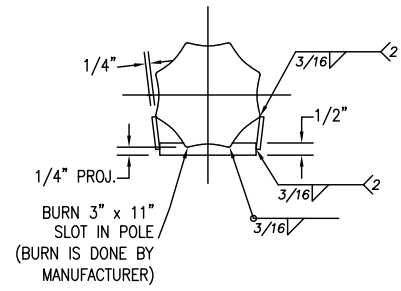
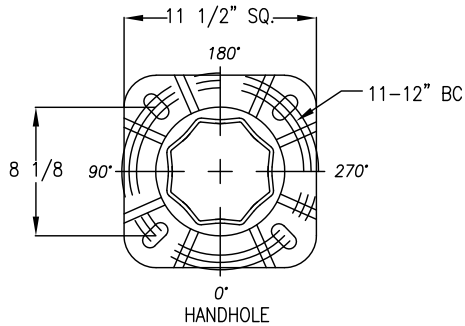
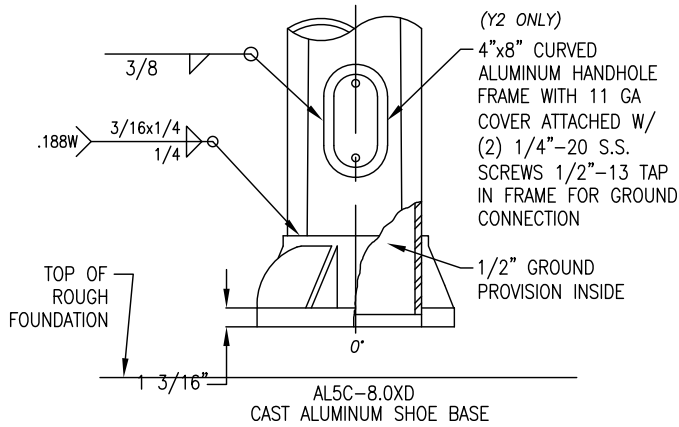


(1) 2 9/16" DIA HOLE IN POLE

**2-BOLT SIMPLEX LUMINAIRE ARM CONNECTION DETAIL**



**REAR MOUNT LUMINAIRE ARM CONNECTION DETAIL**



**BASE CONNECTION DETAIL**

**OCTAFLUTE ALUMINUM ROADWAY LIGHT POLE DETAILS**

REVISION & DATE



ARLINGTON COUNTY, VIRGINIA  
DEPARTMENT OF ENVIRONMENTAL SERVICES

DRAWING NO.  
**14080-05**