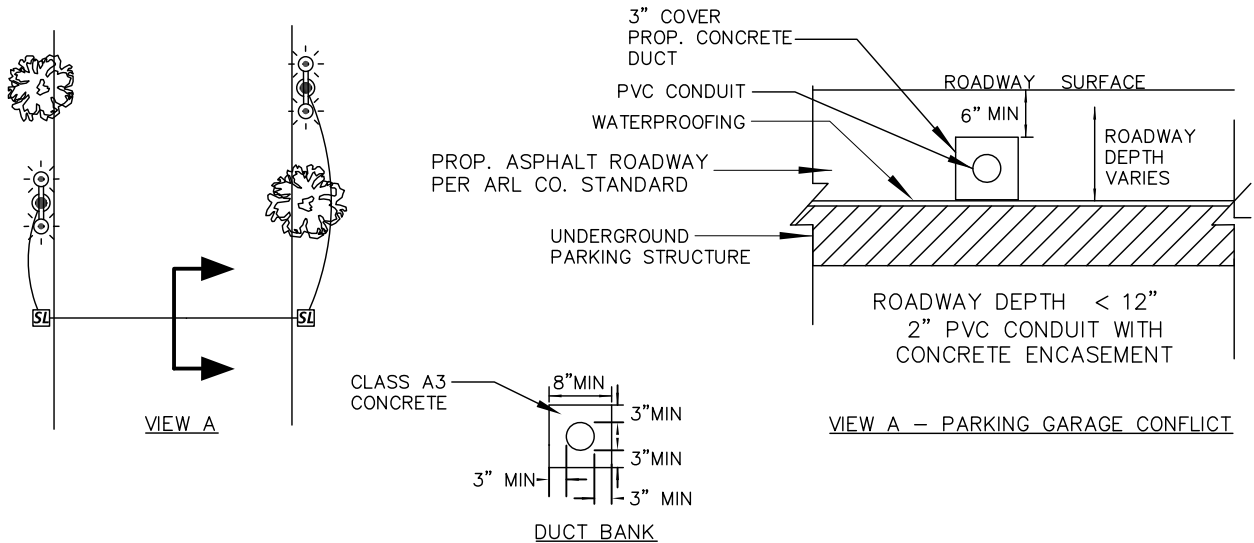


TYPICAL CONDUIT INSTALLATION



SHALLOW DEPTH DUCT BANK INSTALLATION

NOTES:

1. TYPICAL CONDUIT INSTALLATION SHALL BE INSTALLED A MINIMUM OF 24" & NO MORE THAN 36" BELOW FINISH GRADE.

LIGHTING CONDUIT INSTALLATION

REVISION & DATE



ARLINGTON COUNTY, VIRGINIA
DEPARTMENT OF ENVIRONMENTAL SERVICES

DRAWING NO.
14030-01