

- NOTE:
1. REFLECTIVE SURFACE (SIDE WITH PROTECTIVE COATING) OF 3103 MUST FACE AWAY FROM BRACKETS (3102).
 2. CONTRACTOR SHALL ENSURE CORRECT ORIENTATION OF THE GLOBE DURING INSTALLATION. THE STREET SIDE WILL HAVE A DIFFERENT PRISM THAN THE SIDEWALK/HOUSE SIDE.

NON-REFLECTIVE SIDE
SEE NOTE 1

REFRACTOR GLOBE:
PRISMATIC ACRYLIC,
TYPE V OPTICS

DRIVER COVER:
DIE-CAST ALUMINUM
W/ TOOL-LESS ENTRY

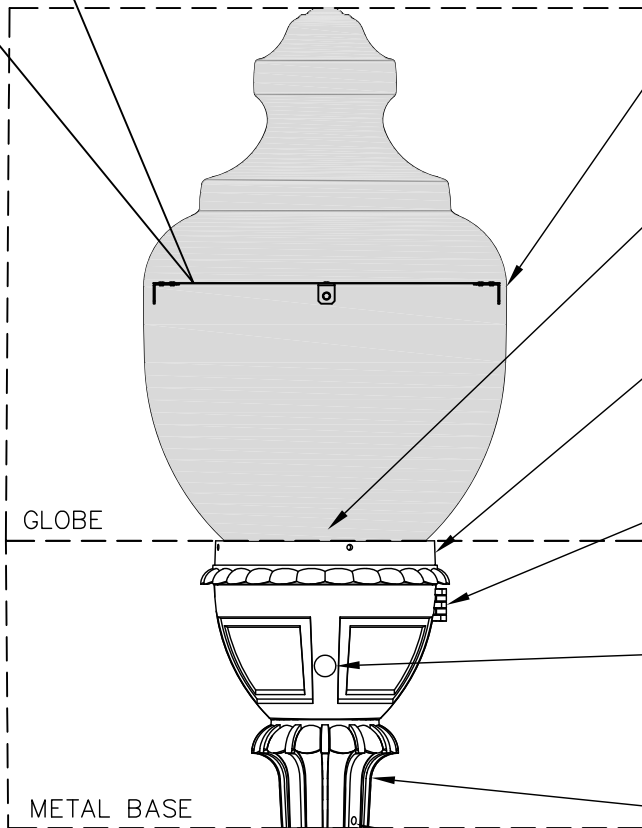
GLOBE HOLDER:
DIE-CAST ALUMINUM
W/ TWIST-LOCK RING

DRIVER ENCLOSURE:
DIE-CAST ALUMINUM,
WEATHERPROOF W/
TOOL-LESS ENTRY
(ACCESS DOOR TO BE ON THE
TRAFFIC SIDE OF POLE)

PHOTO CONTROL:
TWIST-LOCK RECEPTACLE

SLIP FITTER:
3" I.D.

FASTENERS:
STAINLESS STEEL
HEX HEAD BOLTS



DECORATIVE POST-TOP LUMINAIRE

REVISION & DATE	



ARLINGTON COUNTY, VIRGINIA
DEPARTMENT OF ENVIRONMENTAL SERVICES

DRAWING NO.
14110-01