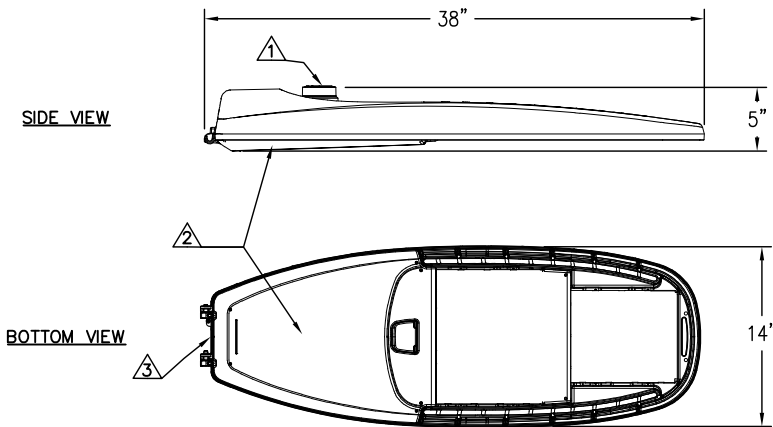


RESIDENTIAL COBRA HEAD LUMINAIRE

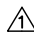




COMMERCIAL COBRA HEAD LUMINAIRE

NOTE:

1. DIMENSIONS ARE NOMINAL.
2. LUMINAIRE COLOR BLACK OR GREY (SPECIFIED DURING DESIGN/ORDER).

LEGEND:

-  7-PIN TWIST-LOCK ANSI 136.41 RECEPTACLE
-  TOOL-LESS ENTRY DOOR SECURED TO PREVENT ACCIDENTAL DISENGAGEMENT
-  MUST FIT ON A 2" OUTER DIAMETER AND A MINIMUM 4" LONG LUMINAIRE ARM TENON

COBRA HEAD LED LUMINAIRE

REVISION & DATE	



ARLINGTON COUNTY, VIRGINIA
DEPARTMENT OF ENVIRONMENTAL SERVICES

DRAWING NO.
14110-03