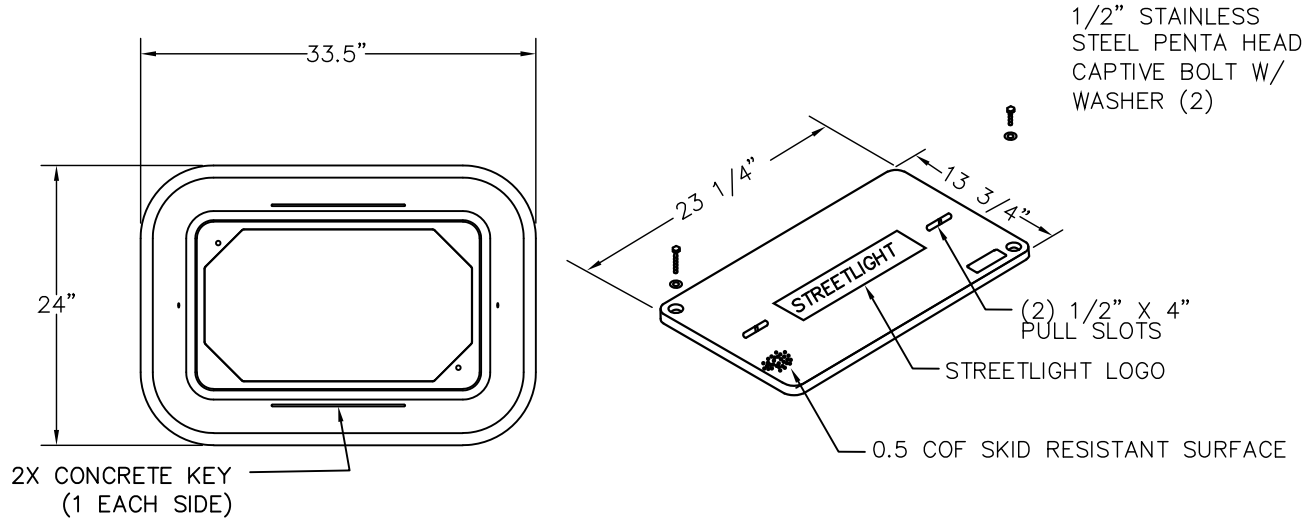


BOXES (NESTABLE)

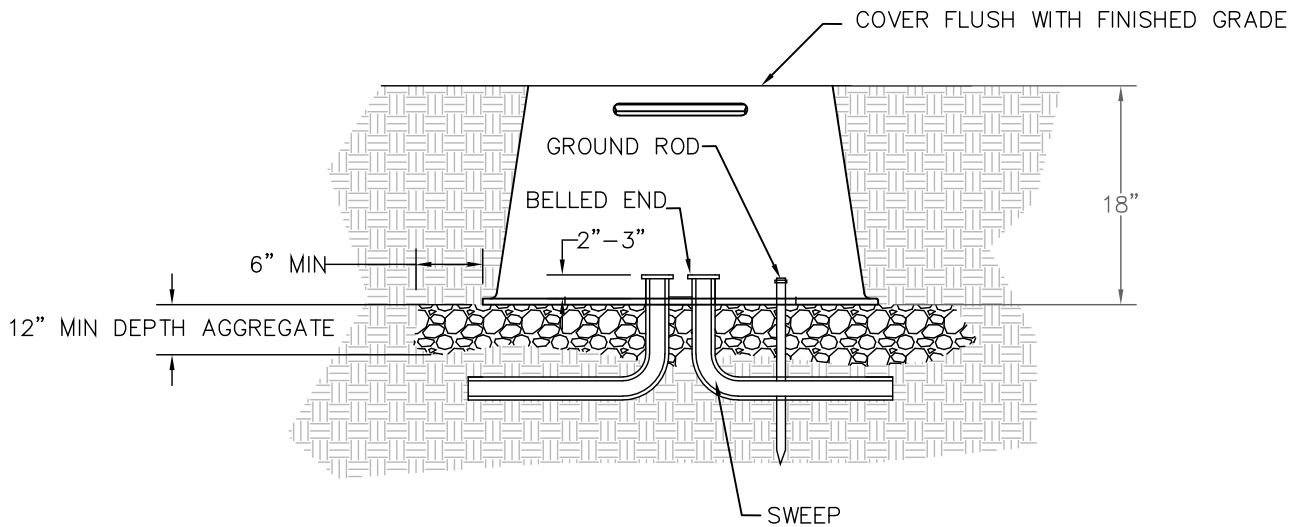
	DESCRIPTION	DESIGN/TEST LOAD #	ANSI TIER*
JUNCTION BOX	OPEN BOTTOM	22,500/33,750	22
COVER	HEAVY DUTY W/2 BOLTS	22,500/33,750	22

* LOADINGS COMPLY WITH ANSCI/SCTE 77



JUNCTION BOX TOP VIEW

COVER



JUNCTION BOX SECTION VIEW

NOTES:

1. ALL CONDUIT SHALL HAVE 2" SEPARATION AND WITH GROUNDING END BUSHING INSTALLED.
2. JUNCTION BOX SHALL HAVE MIN. 4" CLEARANCE NEAR THE CURB.

LARGE JUNCTION BOX

REVISION & DATE



ARLINGTON COUNTY, VIRGINIA
DEPARTMENT OF ENVIRONMENTAL SERVICES

DRAWING NO.
14040-02