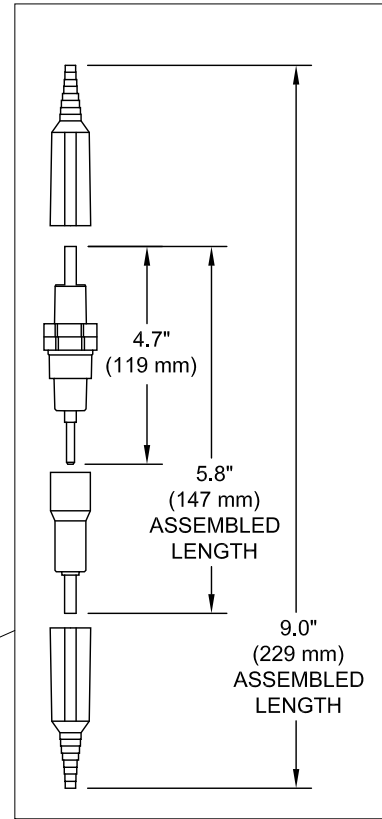
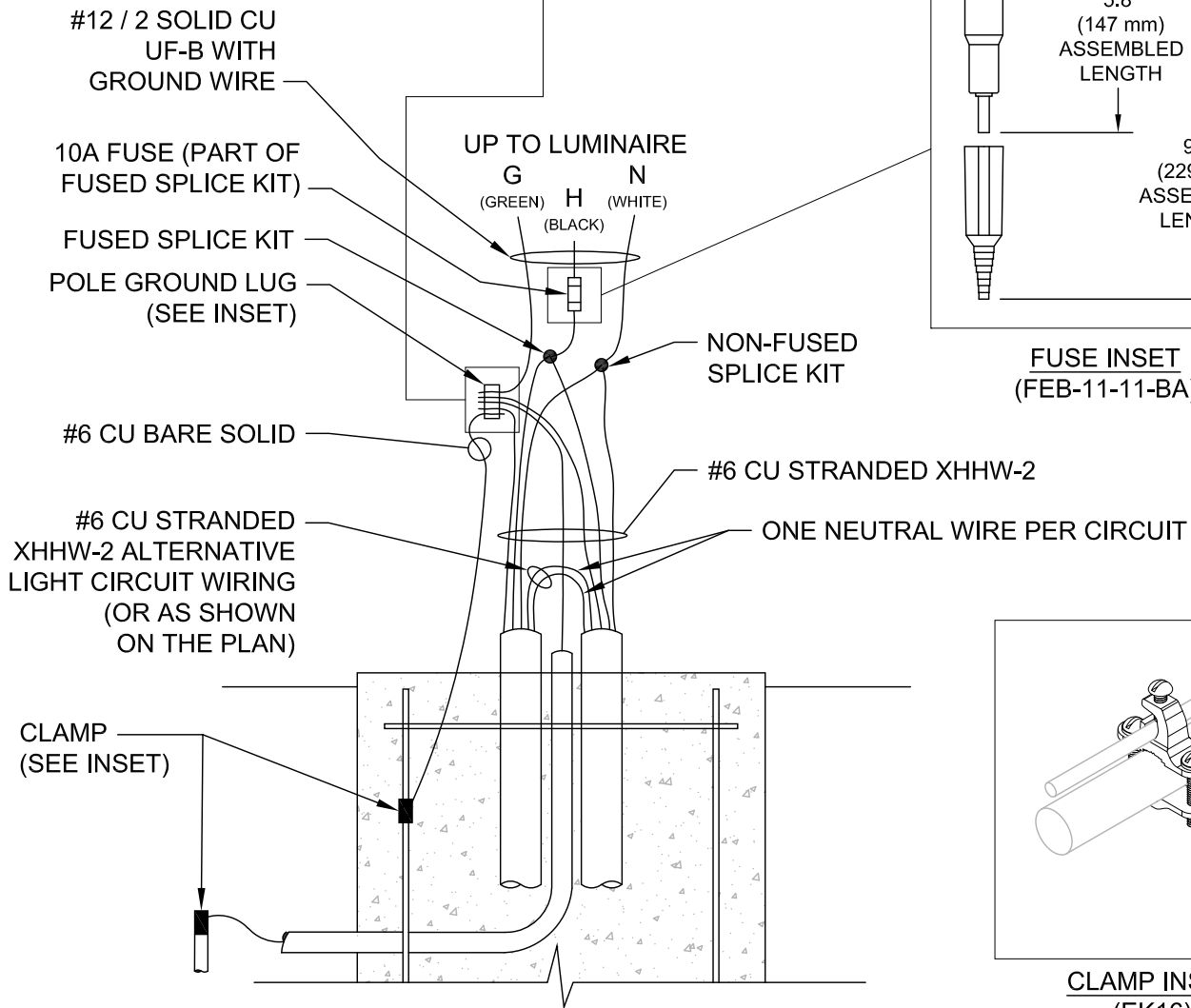


GROUND LUG INSET
(PART # AU-250)



FUSE INSET
(FEB-11-11-BA)



NOTES:

1. CONTRACTOR SHALL INSTALL 4' SLACK OF ALTERNATE CIRCUIT CONDUCTOR IN THE BASE OF THE POLES WHERE THERE IS NO JUNCTION BOX PRESENT BETWEEN ALTERNATE POLES.

LIGHT POLE WIRING DETAIL

REVISION & DATE



ARLINGTON COUNTY, VIRGINIA
DEPARTMENT OF ENVIRONMENTAL SERVICES

DRAWING NO.
14050-01