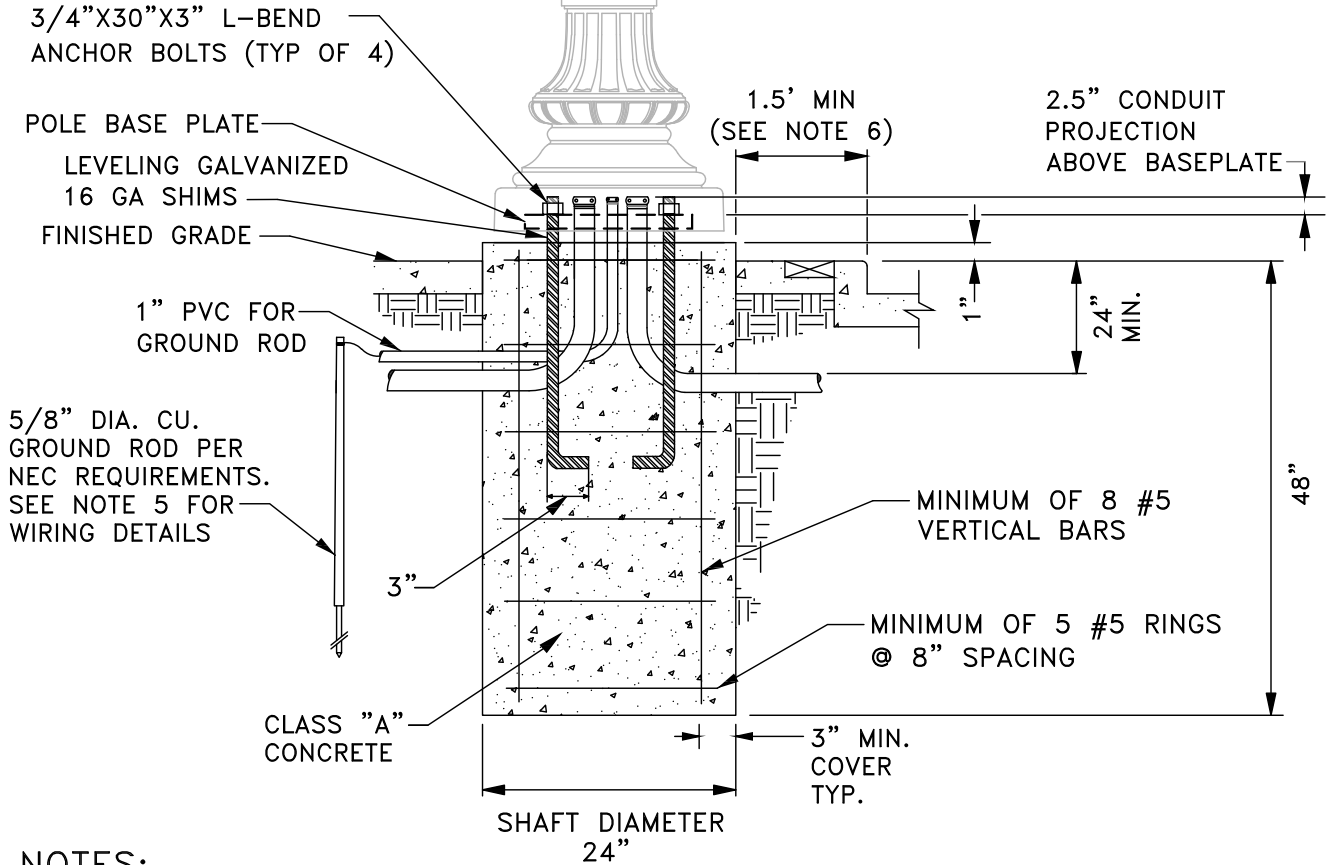
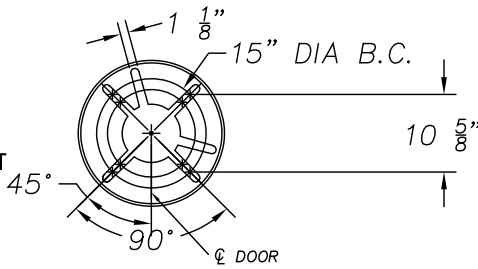


*THIS BOLT CIRCLE AND FOUNDATION TYPE ARE GENERALLY USED FOR STREET LIGHTS UP TO 16' IN HEIGHT.



NOTES:

1. BOLT HOLE PATTERN SHALL BE PARALLEL TO THE CURB.
2. TOP OF THE FOUNDATION SHALL BE 1" ABOVE FINISHED GRADE.
3. POLE BASE SHALL BE LEVELED WITH SHIMS.
4. ALL BARS SHALL HAVE MINIMUM OF 3" OF CONCRETE COVER.
5. NO WIRING DETAILS ARE SHOWN IN THIS DRAWING. REFER TO DRAWING 14050-01 FOR WIRING DETAIL.
6. MINIMUM OFFSET FROM FACE OF CURB. REFER TO SPECIFIC STATION AND OFFSET DISTANCES ON PLANS. CONFIRM FIELD ADJUSTMENT AS REQUIRED.
7. THE CONTACT LENGTH SHALL BE PER NEC ARTICLE 250. GENERALLY, THE GROUND ROD SHALL BE BELOW MOISTURE LEVEL WITH MINIMUM SOIL CONTACT OF 8', OR 45 DEGREE ANGLE, OR LAID 30" DEEP HORIZONTALLY.
8. CONTRACTOR TO ENSURE ADEQUATE SPACING BETWEEN CONDUITS FOR INSTALLATION OF BUSHINGS/BELLED ENDS

**STREETLIGHT POLE FOUNDATION
STANDARD DEPTH**

REVISION & DATE



ARLINGTON COUNTY, VIRGINIA
DEPARTMENT OF ENVIRONMENTAL SERVICES

DRAWING NO.
14060-01