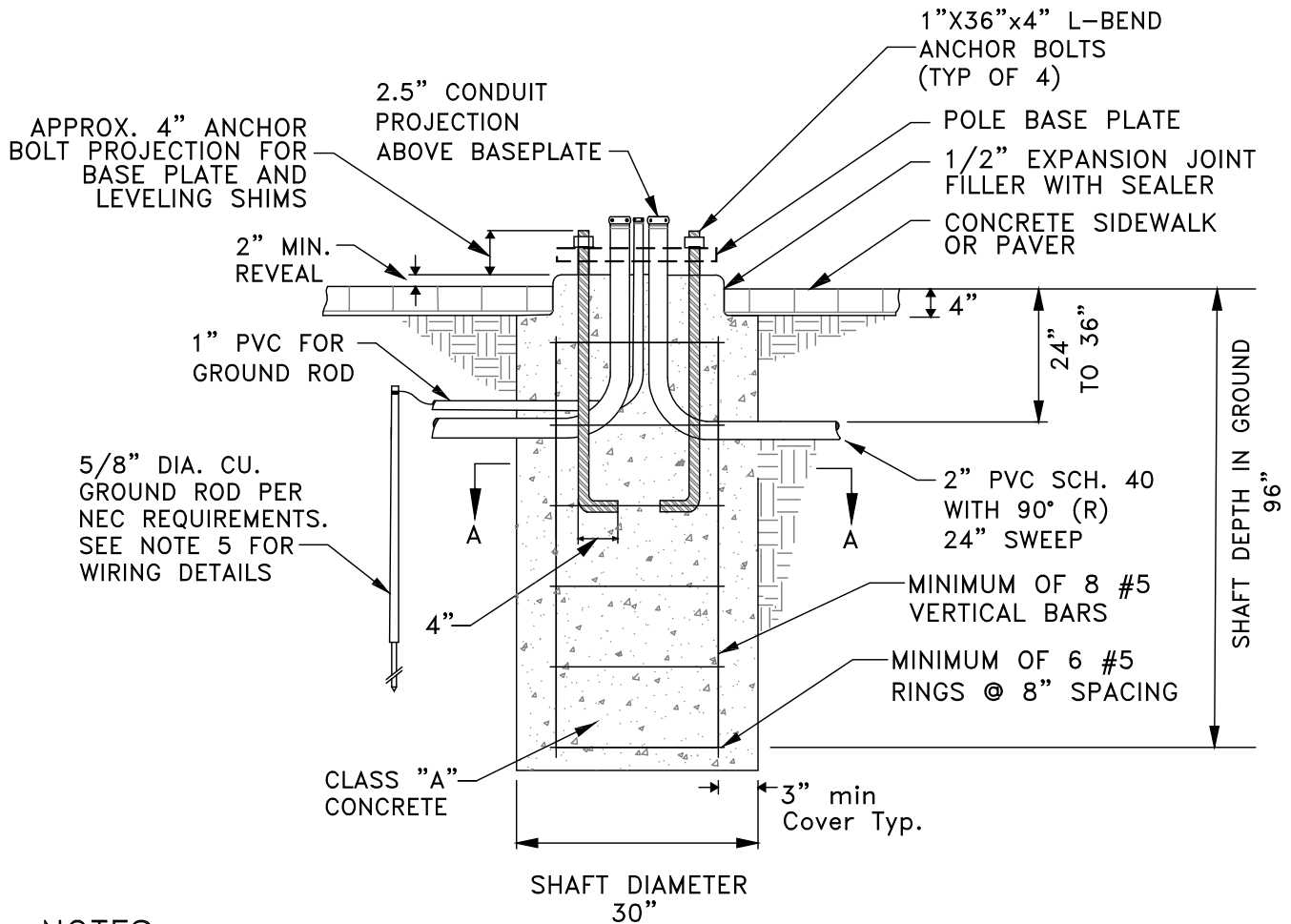


\*THIS BOLT CIRCLE AND FOUNDATION TYPE ARE GENERALLY USED FOR STREET LIGHTS 16' IN HEIGHT AND TALLER.

**SECTION A-A**



**NOTES:**

1. FOUNDATION TOP SHALL BE FINISHED AND LEVEL.
2. BOLT PATTERN SHALL BE PARALLEL TO THE CURB.
3. ALL CONDUIT RADII ARE 90 (R) 24" SWEEPS.
4. ALL BARS SHALL HAVE MINIMUM OF 3" OF CONCRETE COVER.
5. NO WIRING DETAILS ARE SHOWN IN THIS DRAWING. REFER TO DRAWING 14050-1 FOR WIRING DETAIL.
6. THE CONTACT LENGTH SHALL BE PER NEC ARTICLE 250. GENERALLY, THE GROUND ROD SHALL BE BELOW MOISTURE LEVEL WITH MINIMUM SOIL CONTACT OF 8', OR 45 DEGREE ANGLE, OR LAID 30" DEEP HORIZONTALLY.

**ROADWAY LIGHT POLE FOUNDATION**

REVISION & DATE



ARLINGTON COUNTY, VIRGINIA  
DEPARTMENT OF ENVIRONMENTAL SERVICES

DRAWING NO.  
**14060-03**