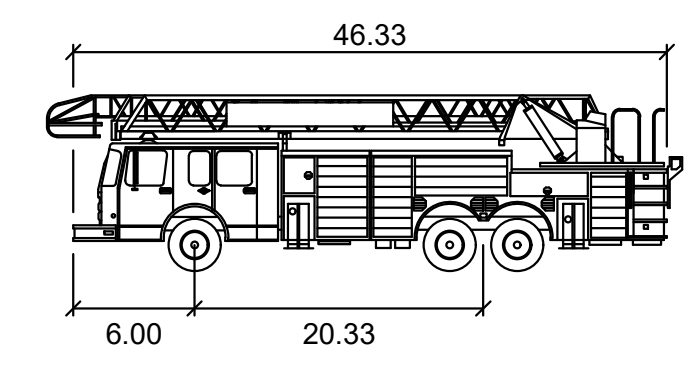
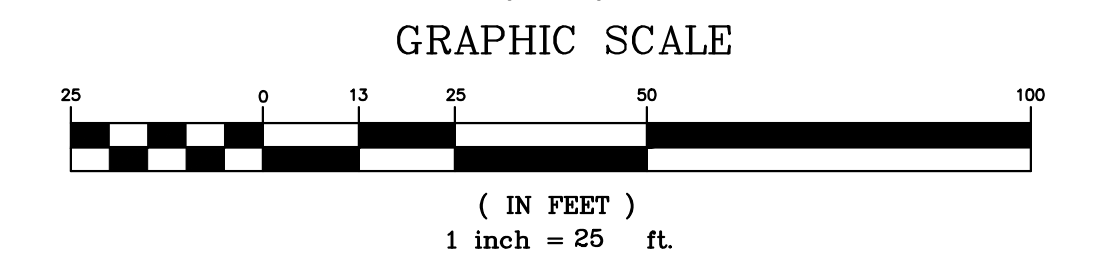


- LEGEND:**
- EMERGENCY VEHICLE ACCESS PATH (TO BE PAINTED AND SIGNED)
  - AERIAL FIRE APPARATUS ACCESS AREA (6% SLOPE OR LESS)
  - PROPOSED BUILDING LESS THAN 50' IN HEIGHT (ACCESS TO WITHIN 100' OF MAIN ENTRANCE)
  - PROPOSED BUILDING TOWER GREATER THAN 51'
  - 15' PROPOSED BUILDING OFFSET
  - 30' PROPOSED BUILDING OFFSET
  - PROPOSED STREET TREE
  - PEDESTRIAN ENTRANCE
  - LOADING/PARKING ENTRANCE
  - PROPOSED WATER LINE
  - PROPOSED FIRE DEPARTMENT CONNECTION (FDC)
  - PROPOSED FIRE HYDRANT
  - HOSE PULL LINE AND LENGTH (ADD 30' PER LEVEL CHANGE TO ACCOUNT FOR STAIRWELLS)



**ACFD-46-4**

Width	: 8.33
Track	: 8.00
Lock to Lock Time	: 6.0
Steering Angle	: 39.8

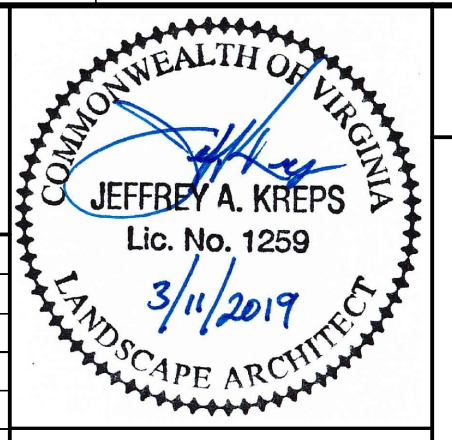


**VIKA**  
 ENGINEERS ■ PLANNERS ■ LANDSCAPE ARCHITECTS ■ SURVEYORS ■ 3D LASER SCANNING  
 VIKA VIRGINIA LLC  
 8180 GREENSBORO DRIVE, SUITE 200 ■ TYSONS, VIRGINIA 22102  
 (703) 442-7800 ■ FAX (703) 781-2787  
 WWW.VIKA.COM

NO.	DATE	DESCRIPTION
8	03/11/2019	4.1 SITE PLAN SUBMISSION - REVISED
7	02/01/2019	4.1 SITE PLAN SUBMISSION - REVISED
6	01/04/2019	4.1 SITE PLAN SUBMISSION - REVISED
5	05/18/2018	4.1 SITE PLAN SUBMISSION - REVISED
4	04/10/2018	4.1 SITE PLAN SUBMISSION - REVISED
3	02/02/2018	4.1 SITE PLAN SUBMISSION - REVISED
2	01/30/2017	4.1 SITE PLAN SUBMISSION - REVISED
1	11/18/2016	4.1 SITE PLAN SUBMISSION

SUBMITTED DATE:		DESIGNED: RRC	PROJECT/FILE NO.
NOVEMBER 18, 2016		CHECKED: DM	VV7783A



ARLINGTON COUNTY, VIRGINIA  
 DEPARTMENT OF ENVIRONMENTAL SERVICES

**FIRE ACCESS PLAN**  
 1501 ARLINGTON BOULEVARD  
 4.1 SUBMISSION  
 Arlington County, Virginia

SCALE: 1" = 25' SHEET: C-14