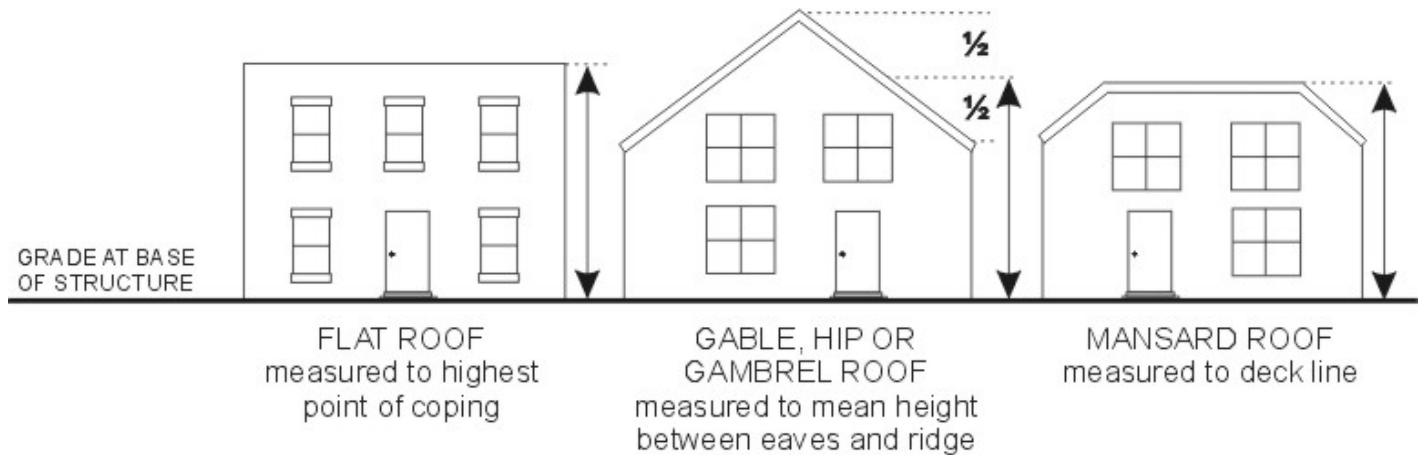
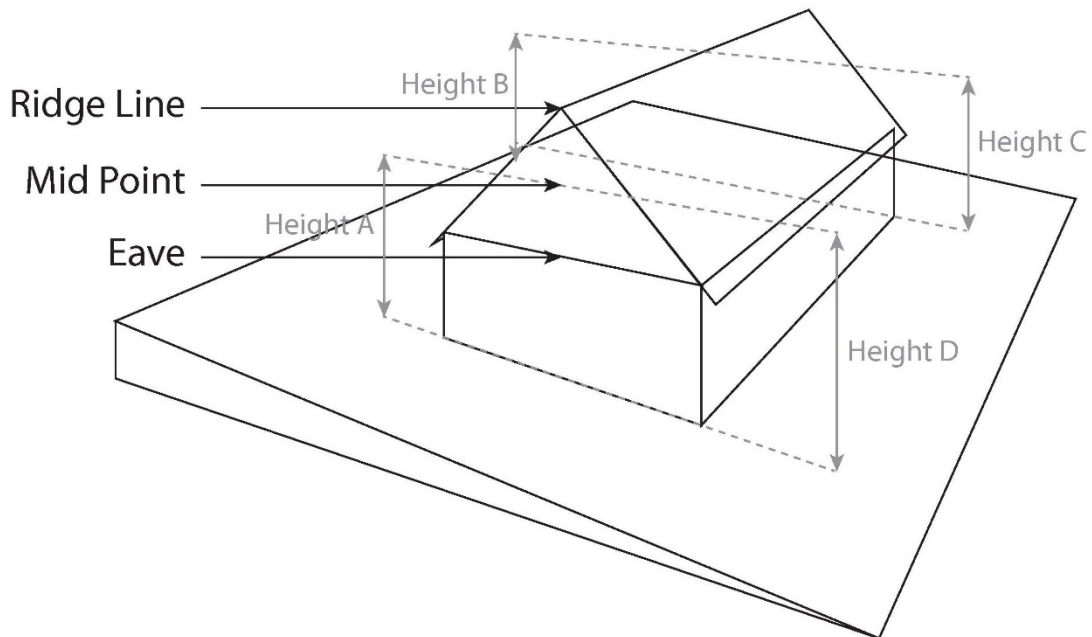


Building Height Options

Option 1: Measure at four points at the perimeter of a main building at the existing grade.

$$\text{Building Height} = (\text{Height A} + \text{Height B} + \text{Height C} + \text{Height D}) / 4$$



Recessed Meeting of the County Board of Arlington County, Virginia, held in Room 307 of #1 Courthouse Plaza thereof on Tuesday, August 1, 2000, at 6:00 p.m.

PRESENT: BARBARA A. FAVOLA, Chairman
JAY FISETTE, Vice Chairman
CHARLES P. MONROE, Member
CHRISTOPHER ZIMMERMAN, Member

ABSENT: PAUL FERGUSON, Member

ALSO PRESENT: WILLIAM T. DONAHUE, County Manager
STEPHEN A. MacISAAC, County Attorney
BARBARA DONNELLAN, Director of Management and Finance
PAM GILLEN, Planning Commission Member
ANTOINETTE COPELAND, Clerk
and other staff

ooooo0ooooo

AN ORDINANCE TO AMEND, REENACT, AND RECODIFY SECTION 1, DEFINITIONS, OF ZONING ORDINANCE CONCERNING DEFINITION OF BUILDING HEIGHT.

After a duly advertised public hearing at which there were no speakers, on motion by Mr. Zimmerman, seconded by Ms. Favola and carried by a vote of 4 to 0, the voting recorded as follows: Ms. Favola Aye, Mr. Fisetete Aye, Mr. Monroe Aye, and Mr. Zimmerman Aye, the Board adopted the following ordinance:

BE IT ORDAINED THAT, to revise the definition of building height, to encourage orderly development of one-family residential neighborhoods, to facilitate the creation of a convenient, attractive and harmonious community; and other reasons required by the public necessity, convenience and general welfare and good zoning practice; Section 1., Definitions, of the Zoning Ordinance is amended, reenacted, and recodified as follows:

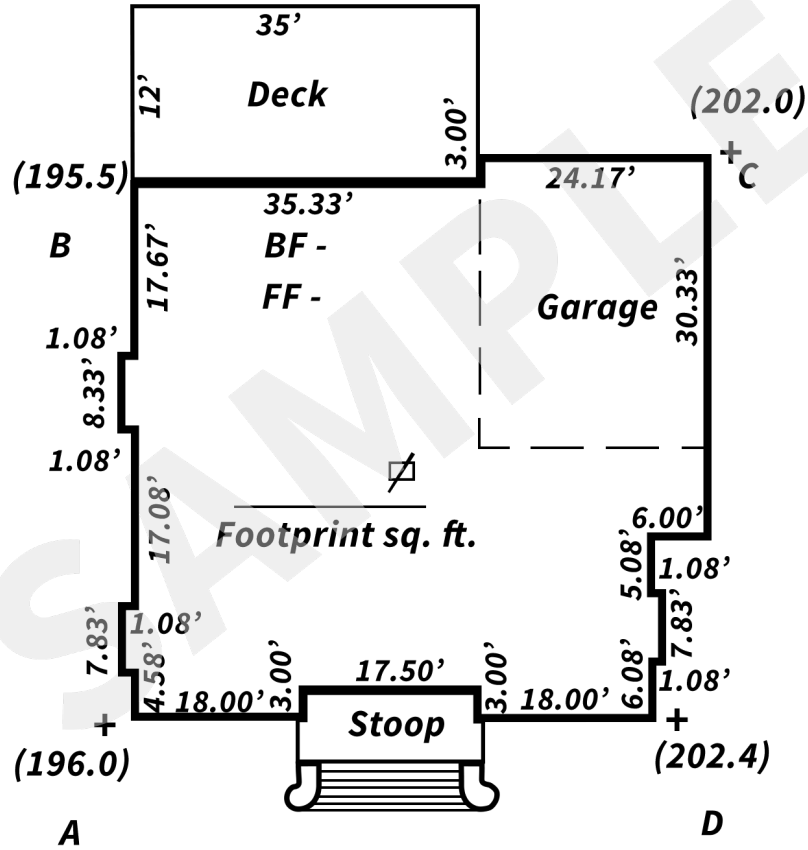
SECTION 1. DEFINITIONS

Building height.

1. In-all "R" Districts, not including "RA" Districts: The vertical distance measured at the existing grade of the lot at the perimeter of the building to the highest point of the roof surface, if a flat roof, to the deck line of mansard roof and to the mean height level between eaves and ridge for gable, hip or gambrel roof. The vertical distance shall be calculated by averaging the above-described distance at four points at the perimeter of the building. The four (4) points shall include two (2) points each on the front and rear of the building, at the points closest to the applicable side lot lines.
2. In All Other Districts: The vertical distance measured from a calculated average elevation of the existing or officially approved grade of the site at the perimeter of the site to the highest point of the roof surface, if a flat roof, to the deck line of mansard roof and the mean height level between eaves and ridge for gable, hip or gambrel roof. However, no wall or any structure in any zoning district shall be exposed more than two (2) stories more than the number permitted for that district.

ooooo0ooooo

Building Height Calculation Form



Lot _____
House Template
 () Denotes Existing Grade

Average Elevation

Height A = _____
 Height B = _____
 Height C = _____
 Height D = _____
 Total = _____ / 4 = **Average Elevation**

Building height is measured from the existing grade at the four corners of proposed structure to the median point of roof between top plate and ridge.